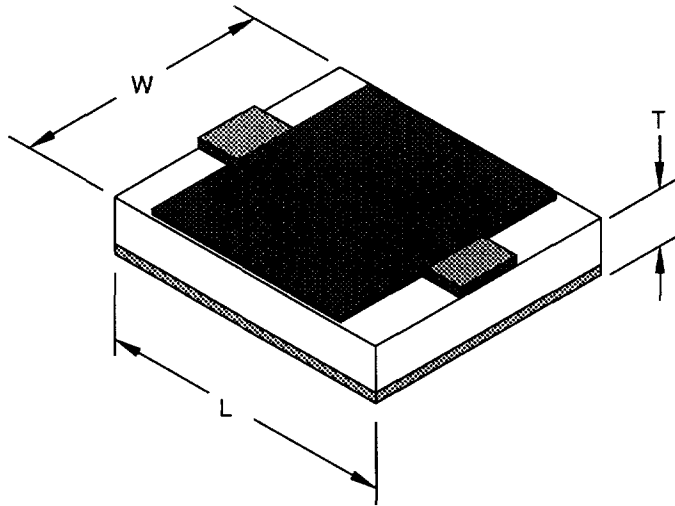


# ATTENUATORS

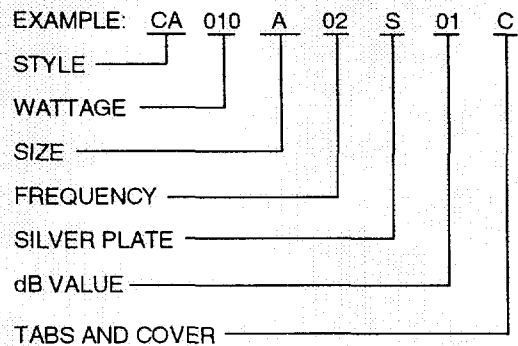
## Chip Attenuators



| Attenuator Size Code |           |           |           |           |           |
|----------------------|-----------|-----------|-----------|-----------|-----------|
| Code                 | A         | B         | C         | D         | E         |
| Size (W X L)         | 100 X 200 | 230 X 350 | 250 X 250 | 250 X 375 | 375 X 375 |

### How to Order by Part Number

The part number is a combination of style, wattage, size, frequency, terminal material and dB value.



# ATTENUATORS

## Chip Attenuators

### GENERAL SPECIFICATIONS:

- IMPEDANCE: 50  $\Omega$
- OPERATING TEMPERATURE: -55 °C to +150 °C. Exceeds applicable requirements of MIL-E-5400 and MIL-R-55342.
- ATTENUATION STABILITY: 0.0001 dB/dB/°C.
- TEMPERATURE COEFFICIENT: 100 PPM/°C (-55 °C to +125 °C with 25 °C as reference).
- POWER RATING: The power rating is from 25 to 85 °C derated linearly to zero at 150 °C. The chip can be used at a higher power level with adequate heat sinking.

- RESISTIVE ELEMENTS: Proprietary film
- TERMINALS: Platinum Silver or Tin over Nickel.
- SUBSTRATE: Aluminum Nitride.
- MOUNTING: Refer to mounting instructions page 1-2.

### Features:

- Temperature Stable
- Reliability programs to customer requirements
- Custom sizes designed for special applications
- Compatible with flow and reflow soldering
- Tape and reel supplied

| AFC Part Number   | Attenuation (dB) | W   | L   | T    | (MAX) POWER | VSWR   | FREQ (GHz) |
|-------------------|------------------|-----|-----|------|-------------|--------|------------|
| CA015A04S01 to 06 | 1 to 6           | 100 | 200 | .040 | 15 W        | 1.25:1 | DC to 4    |
| CA015A04S09       | 9                | 100 | 200 | .040 | 15 W        | 1.25:1 | DC to 4    |
| CA015A04S10       | 10               | 100 | 200 | .040 | 15 W        | 1.25:1 | DC to 4    |
| CA015A04S20       | 20               | 100 | 200 | .040 | 15 W        | 1.25:1 | DC to 4    |
| CA015A04S30       | 30               | 100 | 200 | .040 | 15 W        | 1.25:1 | DC to 4    |
| CA020C04S01 to 06 | 1 to 6           | 250 | 250 | .040 | 20 W        | 1.25:1 | DC to 4    |
| CA020C04S09       | 9                | 250 | 250 | .040 | 20 W        | 1.25:1 | DC to 4    |
| CA020C04S10       | 10               | 250 | 250 | .040 | 20 W        | 1.25:1 | DC to 4    |
| CA020C04S20       | 20               | 250 | 250 | .040 | 20 W        | 1.25:1 | DC to 4    |
| CA020C04S30       | 30               | 250 | 250 | .040 | 20 W        | 1.25:1 | DC to 4    |
| CA050D01S01 to 06 | 1 to 6           | 250 | 375 | .040 | 50 W        | 1.25:1 | DC to 1    |
| CA050D01S09       | 9                | 250 | 375 | .040 | 50 W        | 1.25:1 | DC to 1    |
| CA050D01S10       | 10               | 250 | 375 | .040 | 50 W        | 1.25:1 | DC to 1    |
| CA050D01S20       | 20               | 250 | 375 | .040 | 50 W        | 1.25:1 | DC to 1    |
| CA050D01S30       | 30               | 250 | 375 | .040 | 50 W        | 1.25:1 | DC to 1    |
| CA075E04S01 to 06 | 1 to 6           | 375 | 375 | .040 | 75 W        | 1.25:1 | DC to 4    |
| CA075E04S09       | 9                | 375 | 375 | .040 | 75 W        | 1.25:1 | DC to 4    |
| CA075E04S10       | 10               | 375 | 375 | .040 | 75 W        | 1.25:1 | DC to 4    |
| CA075E04S20       | 20               | 375 | 375 | .040 | 75 W        | 1.25:1 | DC to 4    |
| CA075E04S30       | 30               | 375 | 375 | .040 | 75 W        | 1.25:1 | DC to 4    |
| CA150E02S01 to 06 | 1 to 6           | 375 | 375 | .040 | 150 W       | 1.25:1 | DC to 2    |
| CA150E02S09       | 9                | 375 | 375 | .040 | 150 W       | 1.25:1 | DC to 2    |
| CA150E02S10       | 10               | 375 | 375 | .040 | 150 W       | 1.25:1 | DC to 2    |
| CA150E02S20       | 20               | 375 | 375 | .040 | 150 W       | 1.25:1 | DC to 2    |
| CA150E02S30       | 30               | 375 | 375 | .040 | 150 W       | 1.25:1 | DC to 2    |

American Technical Ceramics • One Norden Lane, Huntington Station, N.Y. 11746-2142  
 phone: 631-622-4700 • fax: 631-622-4748 • e-mail: sales@atceramics.com • http://www.atceramics.com

